

Cessna Caravan C208 Amphibian

Prototype by Mark Snowden

SnowdenMinistries@gmail.com

Print on white card stock, ledger size 11" X 17".

Cut out and paste or tape together.

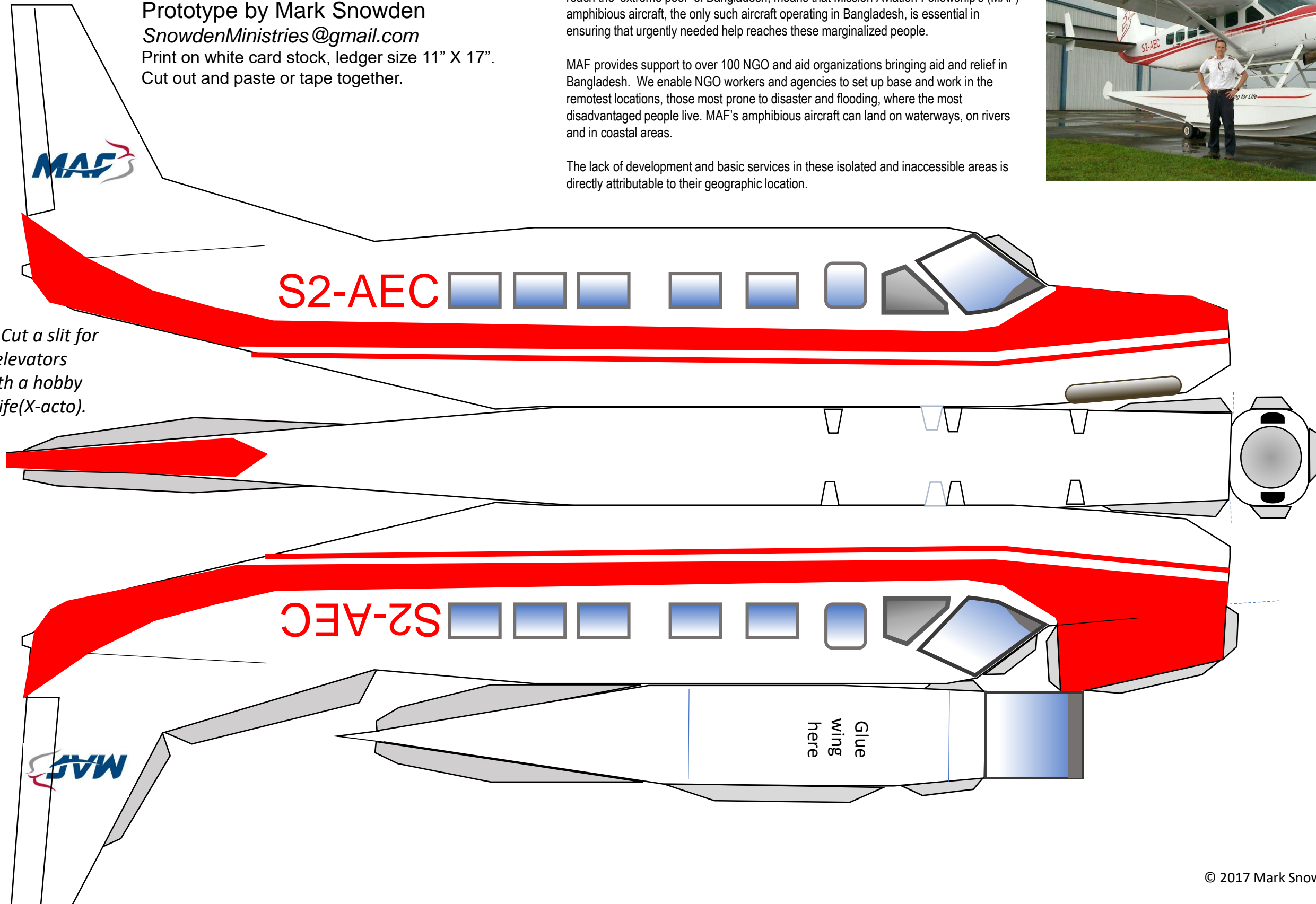
Despite recent economic growth, Bangladesh remains one of the poorest and most densely populated countries in the world. One third of the country is covered in water. Transport infrastructure is very poor in Bangladesh, with a limited road network, few airports, and only a limited number of vehicle ferries on the numerous rivers. The need to reach the 'extreme poor' of Bangladesh, means that Mission Aviation Fellowship's (MAF) amphibious aircraft, the only such aircraft operating in Bangladesh, is essential in ensuring that urgently needed help reaches these marginalized people.

MAF provides support to over 100 NGO and aid organizations bringing aid and relief in Bangladesh. We enable NGO workers and agencies to set up base and work in the remotest locations, those most prone to disaster and flooding, where the most disadvantaged people live. MAF's amphibious aircraft can land on waterways, on rivers and in coastal areas.

The lack of development and basic services in these isolated and inaccessible areas is directly attributable to their geographic location.

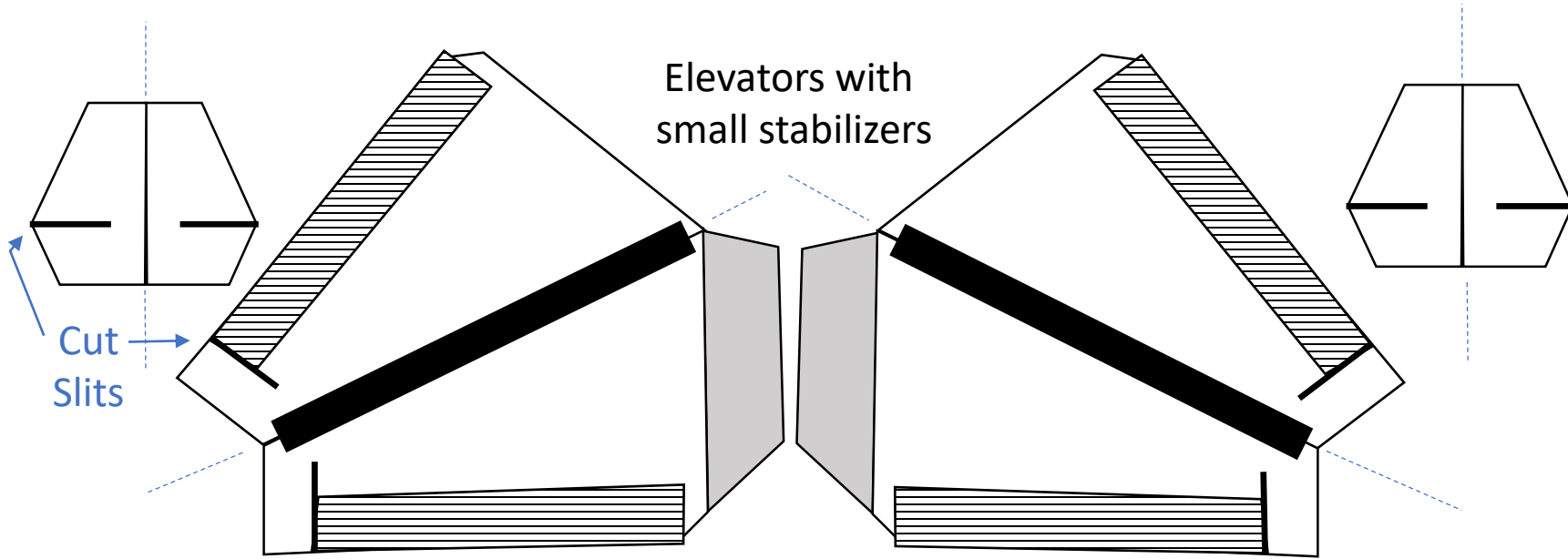


MAF photo

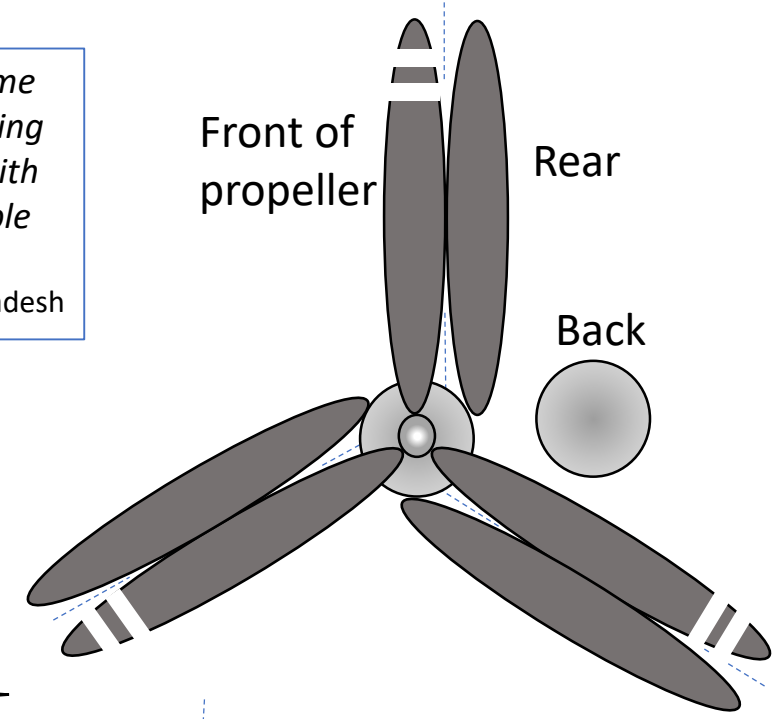


Tip: Cut a slit for elevators with a hobby Knife(X-acto).

Tip: Folder over a sharp corner like a counter or ruler.



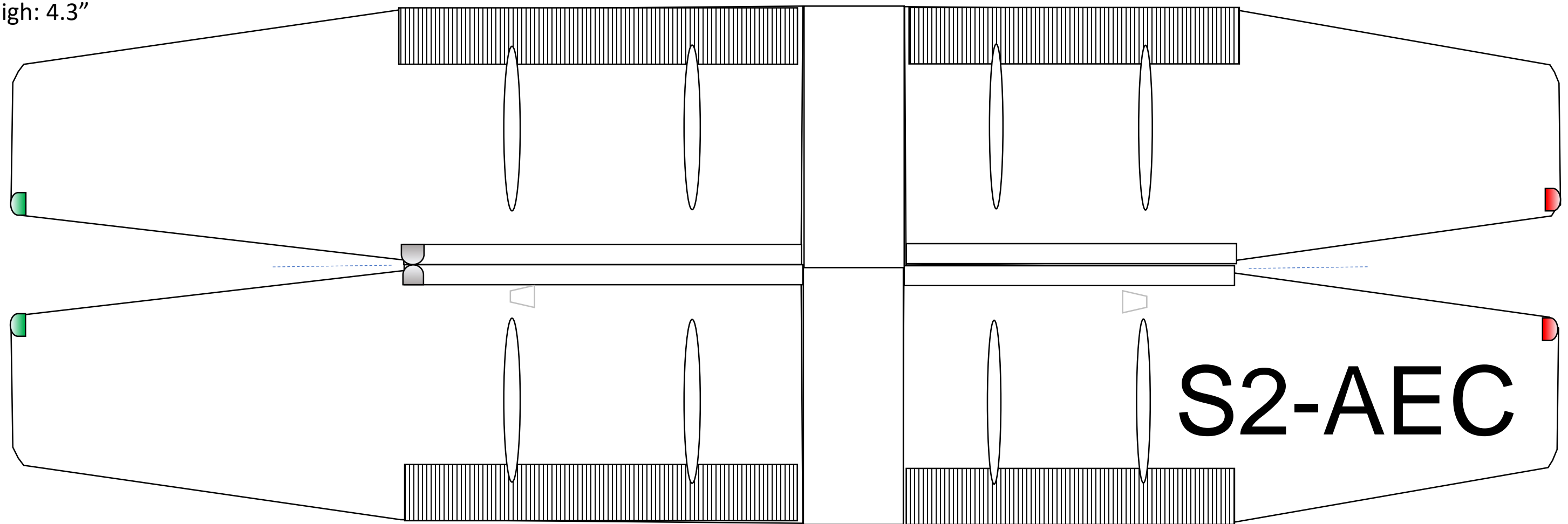
Serving as a pilot, what keeps me doing it year after year, is to bring hope in an area that is faced with daily, sometimes insurmountable challenges.
 --MAF Pilot in Bangladesh

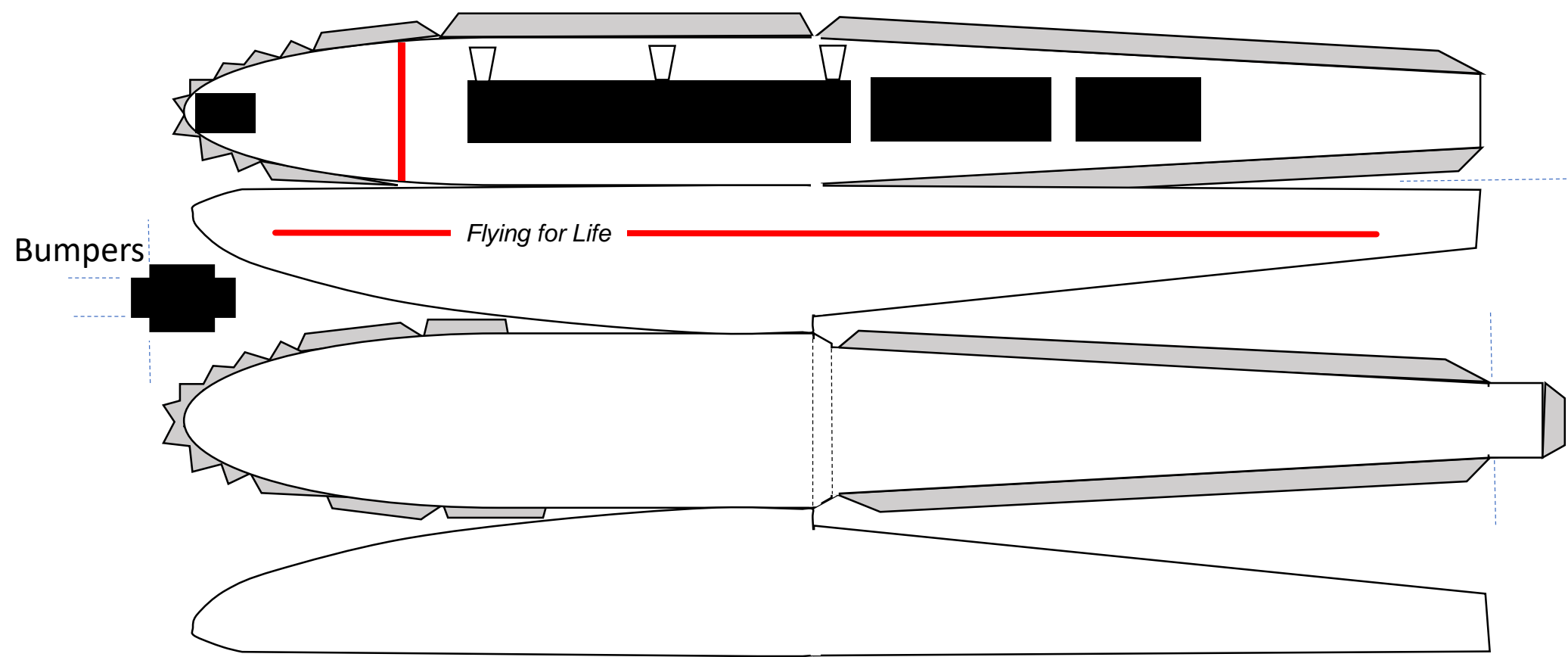


Sizes:
 Fuse 12"
 Wingspan: 15"
 Floats: 9"
 High: 4.3"

Tip: Gray tabs are for gluing under plane

Toothpick or straightened paper clip glued inside

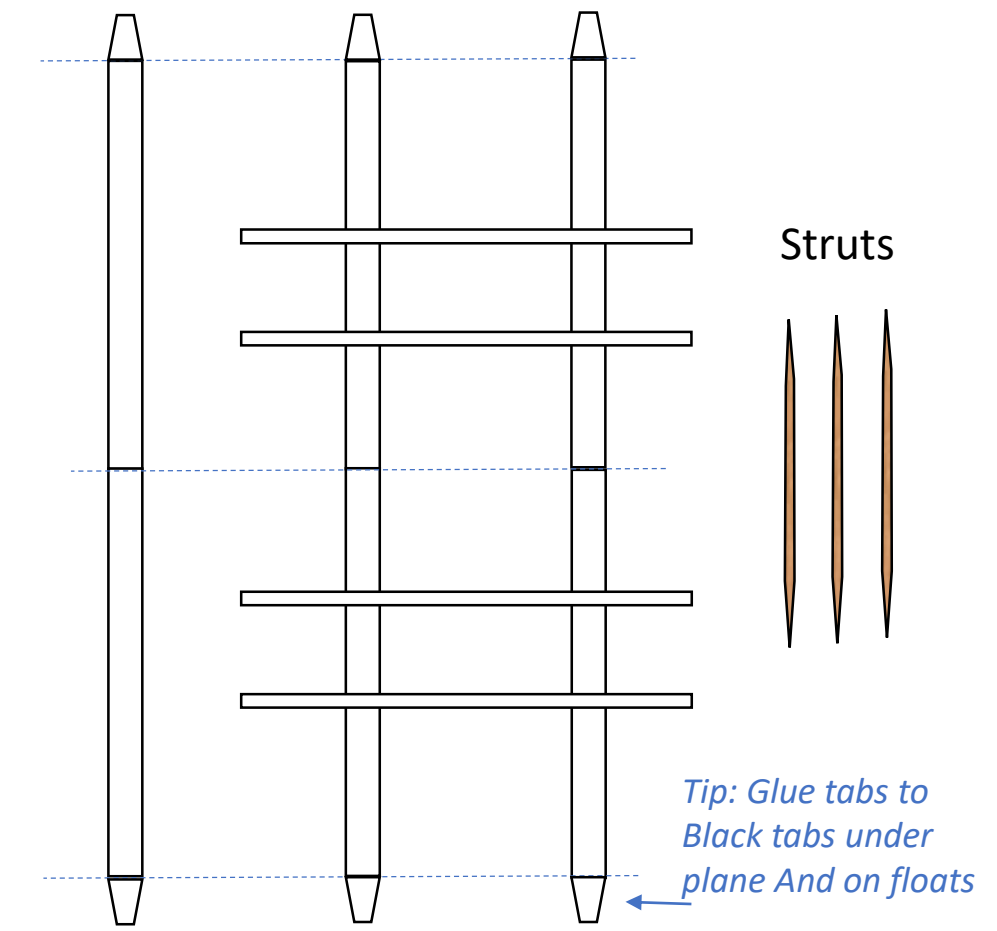
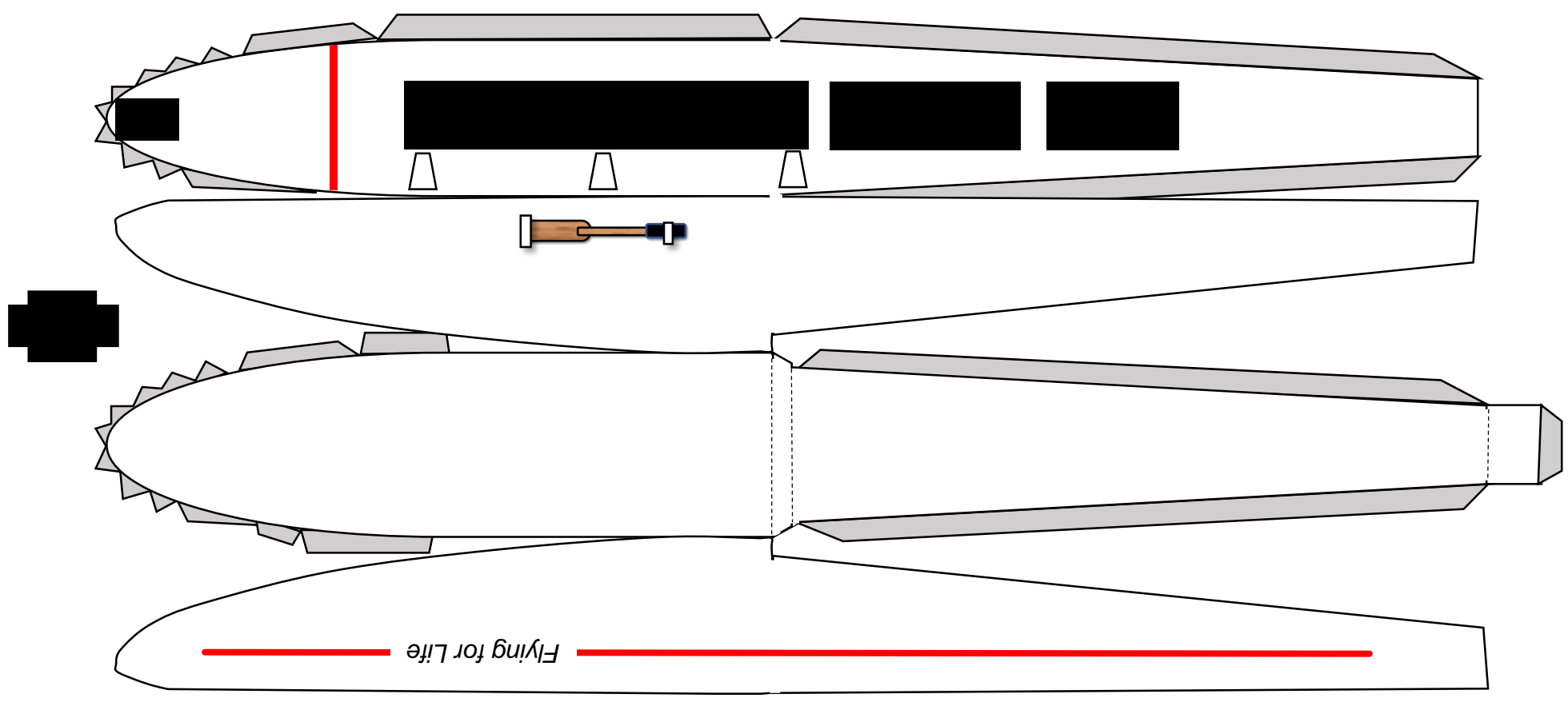




Bumpers

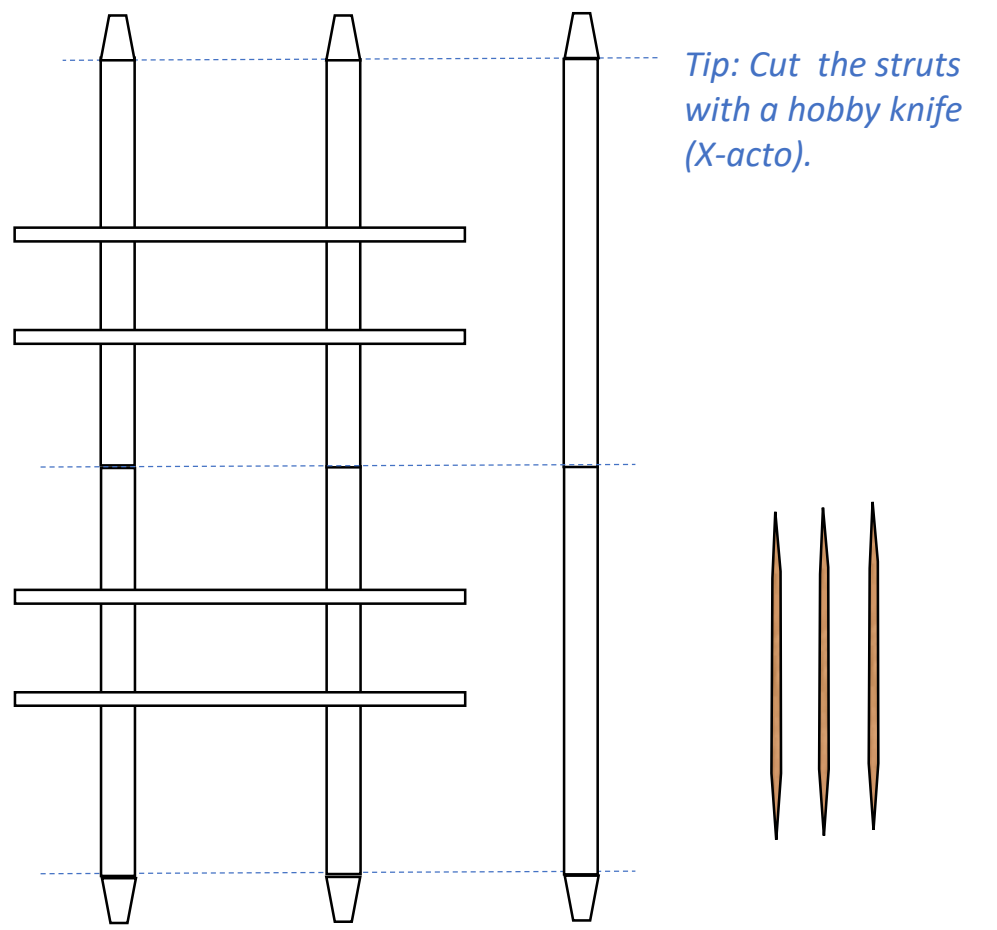
Flying for Life

Floats



Struts

Tip: Glue tabs to Black tabs under plane And on floats



Tip: Cut the struts with a hobby knife (X-acto).